



COOK



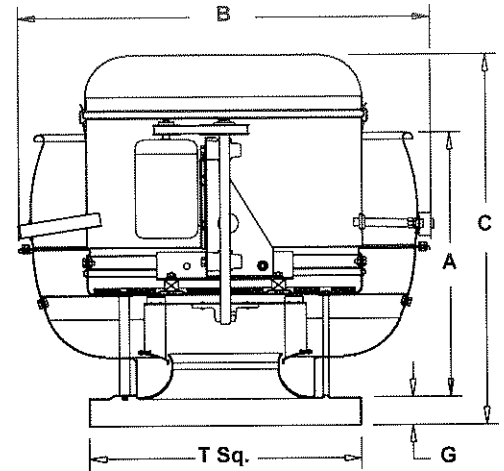
MARK: EF-1
PROJECT: VIRGINIA PLANT
DATE: 12-14-2006

VCR

Upblast Centrifugal
Exhaust Ventilator
Roof Mounted/Belt Drive

STANDARD CONSTRUCTION FEATURES:

All aluminum housing - Backward inclined all aluminum wheel - Two piece top cap with stainless steel quick release latches - One piece bottom spinning - Welded curb cap corners - Lifting Lugs - Permanently lubricated ball bearing motors - Static resistant belts - Adjustable pitch drives through 5 hp motor - Corrosion resistant fasteners - Regreasable bearings in cast iron pillow block housing, rated at 200,000 hours average life - All fans factory adjusted to specified fan RPM - Transit tested packaging.



Performance (*Bhp includes 5% drive loss)

Qty	Catalog Number	Flow (CFM)	SP (inwc)	Fan RPM	Bhp* (HP)
4	365V11B	17000	.500	648	4.73

Altitude (ft): 1000 Temperature (F): 70

Motor Information

HP	RPM	Volts/Ph/Hz	Enclosure	Mounted
5	1725	460/3/60	ODP	Yes

Motor efficiency meets EPACT requirements

Sound Data 8 Octave Bands dB (10⁻¹² Watts)

1	2	3	4	5	6	7	8	LwA	dBA	Sones
92	92	91	82	78	74	67	63	86	75	25

Accessories:

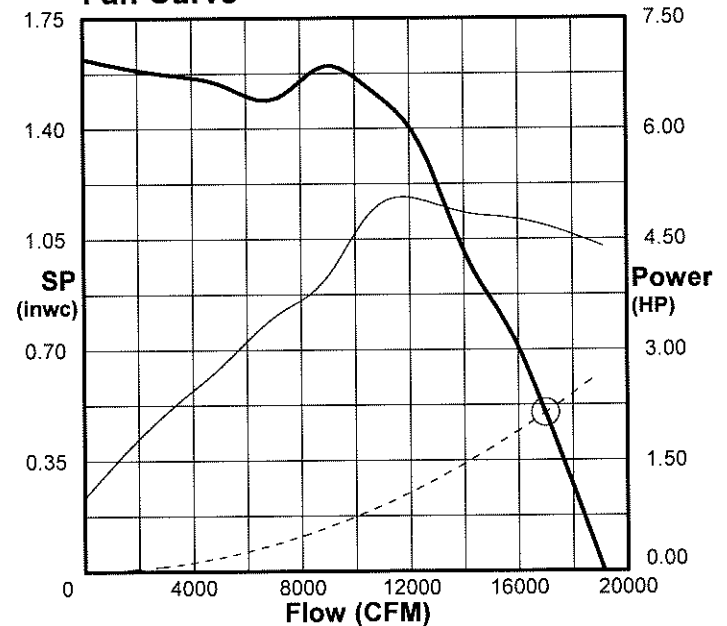
REINFORCED WHEEL
PRE-WIRED STD DISCONNECT NEMA 3
UL762 (327Y-300DEG)

Dimensions (inches)

A	36-3/8
B	64-1/4
C	52-7/16
G	3
T Sq.	42
Roof Open. Sq.*	37-1/2
Unit Wt(lbs)***	501

* Roof opening size for curbs supplied by Cook only.
***Includes fan, motor & accessories.

Fan Curve



Fan Curve Legend

CFM vs SP	—
CFM vs HP	- - -
System Curve	· · ·
Point of Operation	○